



A Division of **TUXEDO** Distributors, LLC.

## *Paint Spray Booths*

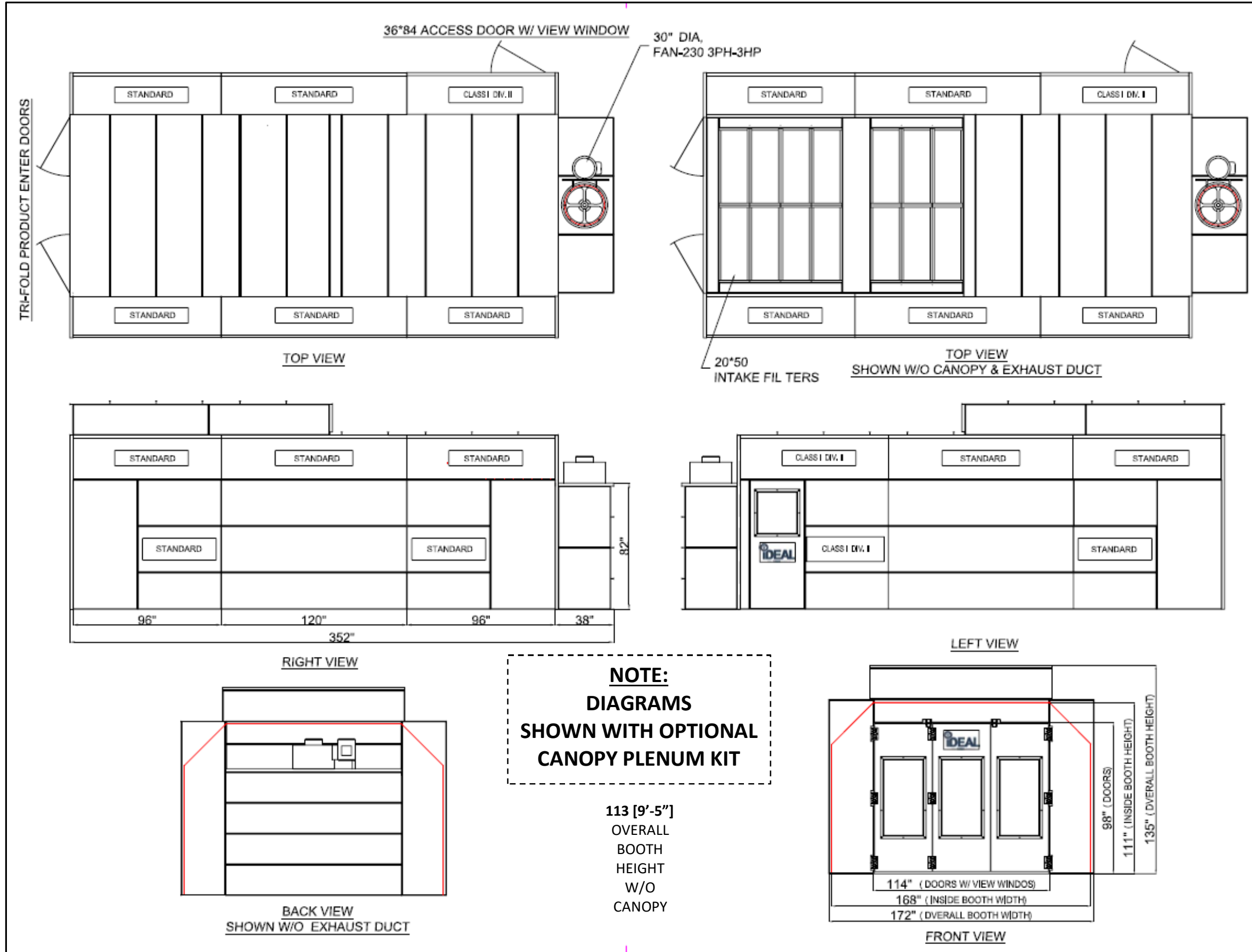
**Model # PSB-SEMIDD26B-AK**

**Detailed BOM List &**

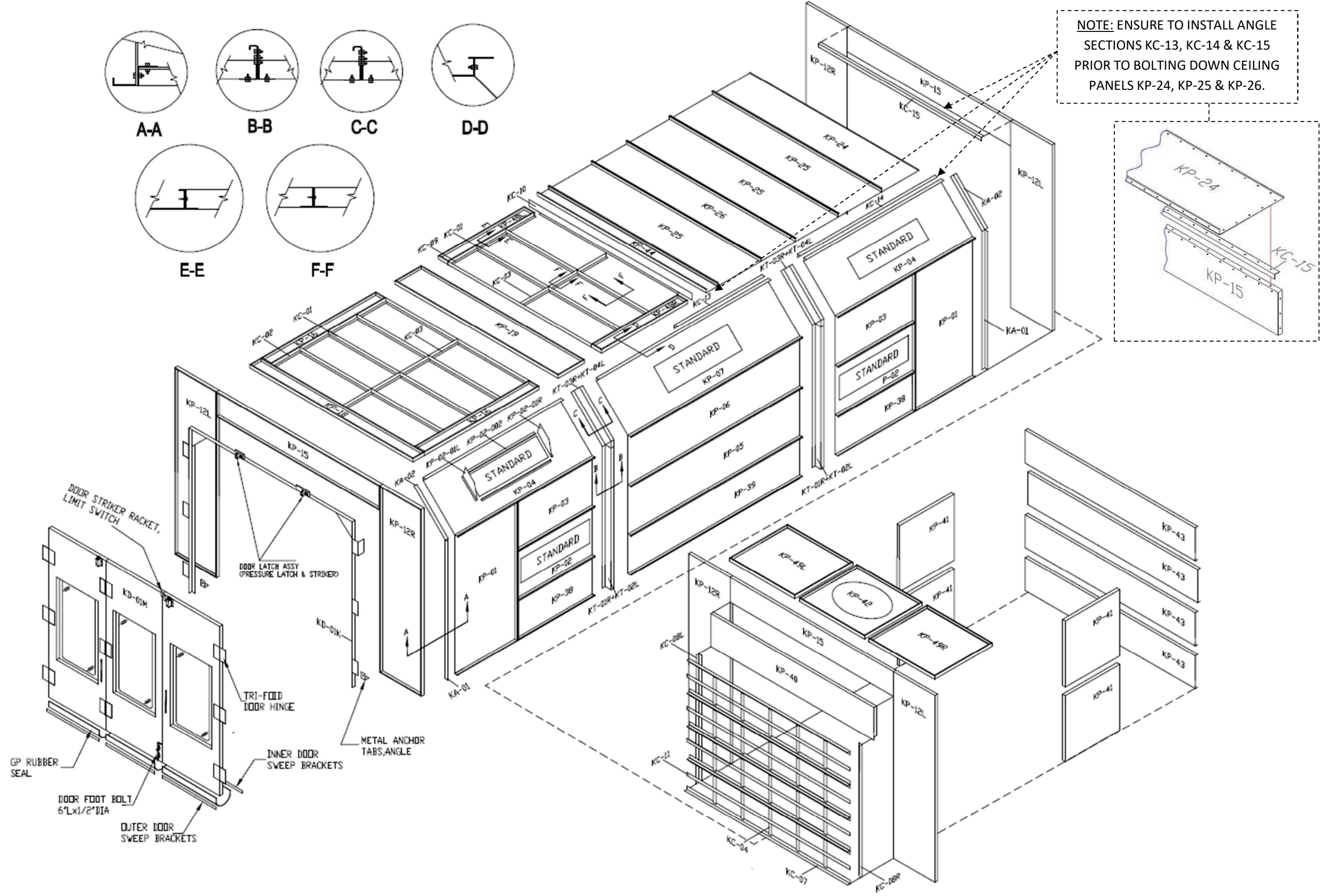
**Assembly Detail Diagrams**

Aug 2021

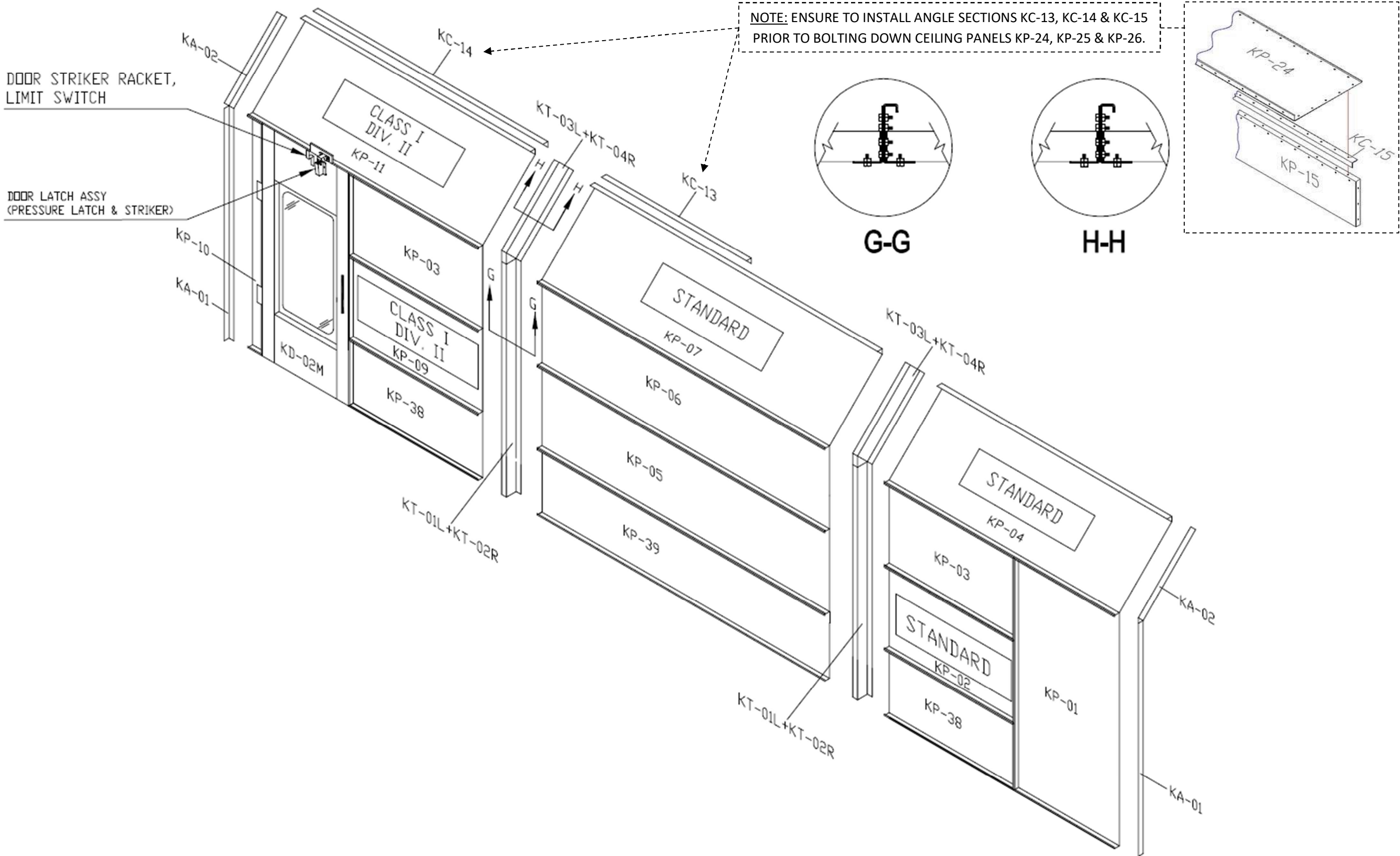
**(PSB-SEMIDD26B-AK) FLOOR PLAN & ELEVATION DIMENSIONS**



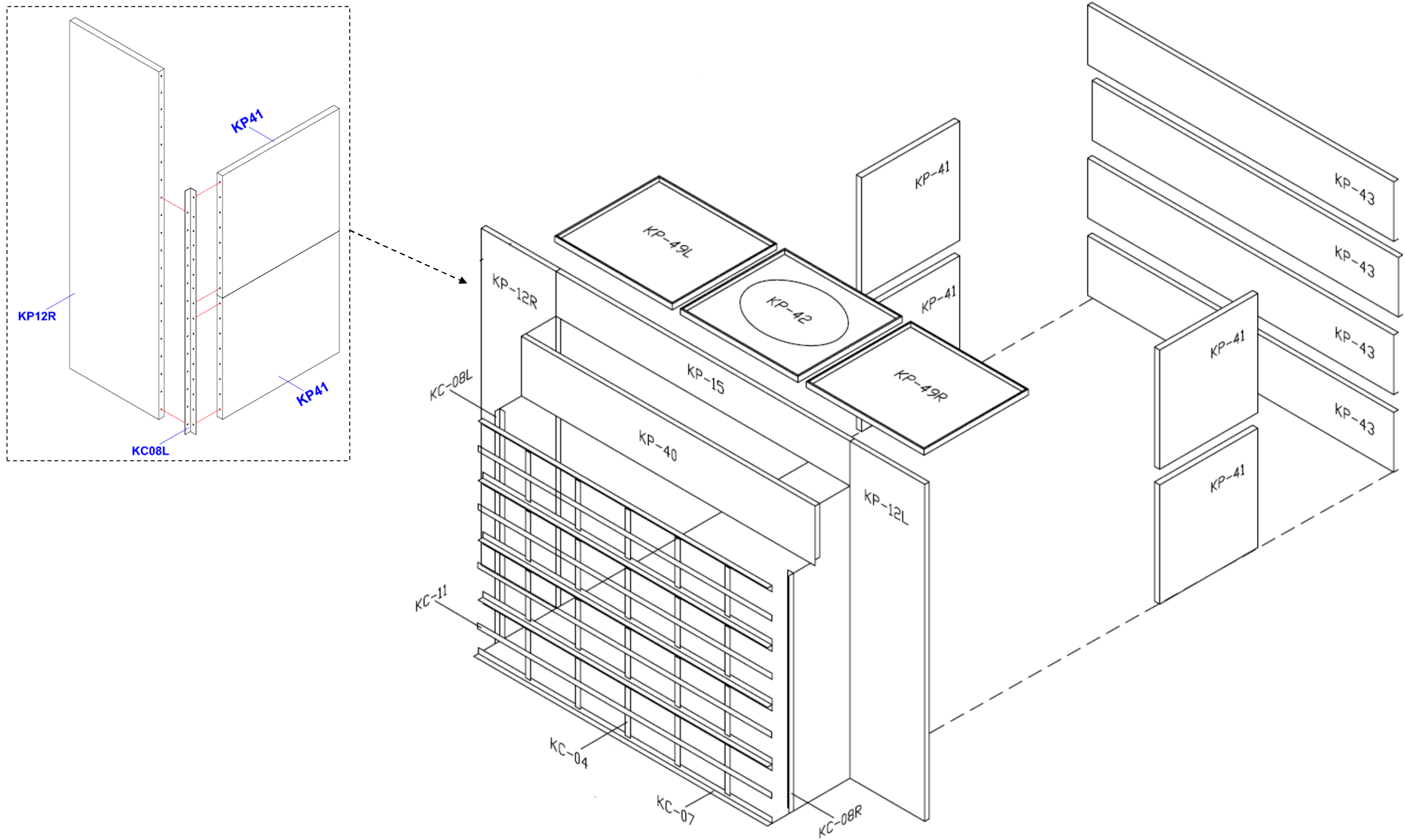
(PSB-SEMIDD26B-AK) ISOMETRIC VIEW / RIGHT SIDE



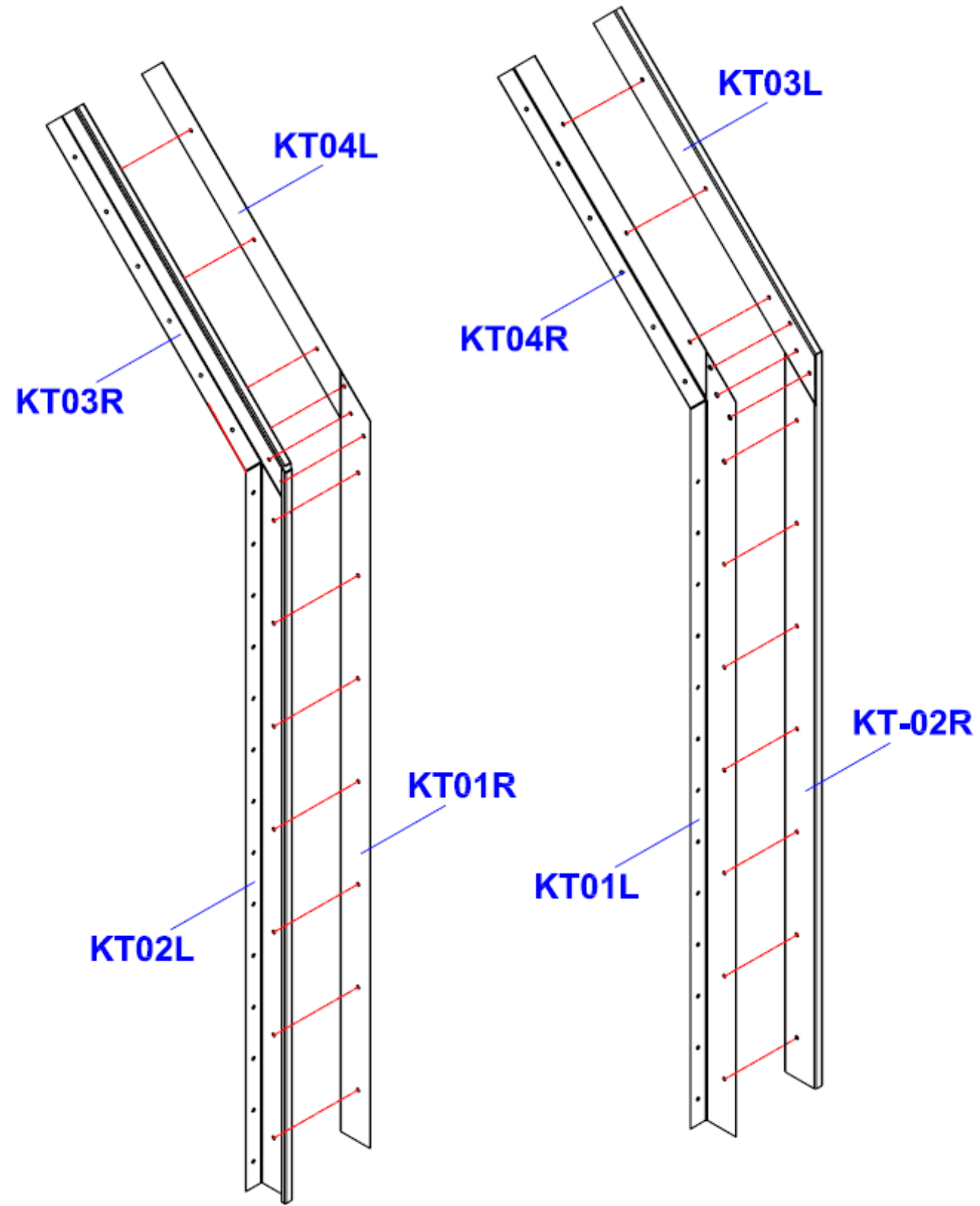
(PSB-SEMIDD26B-AK) LEFT SIDE



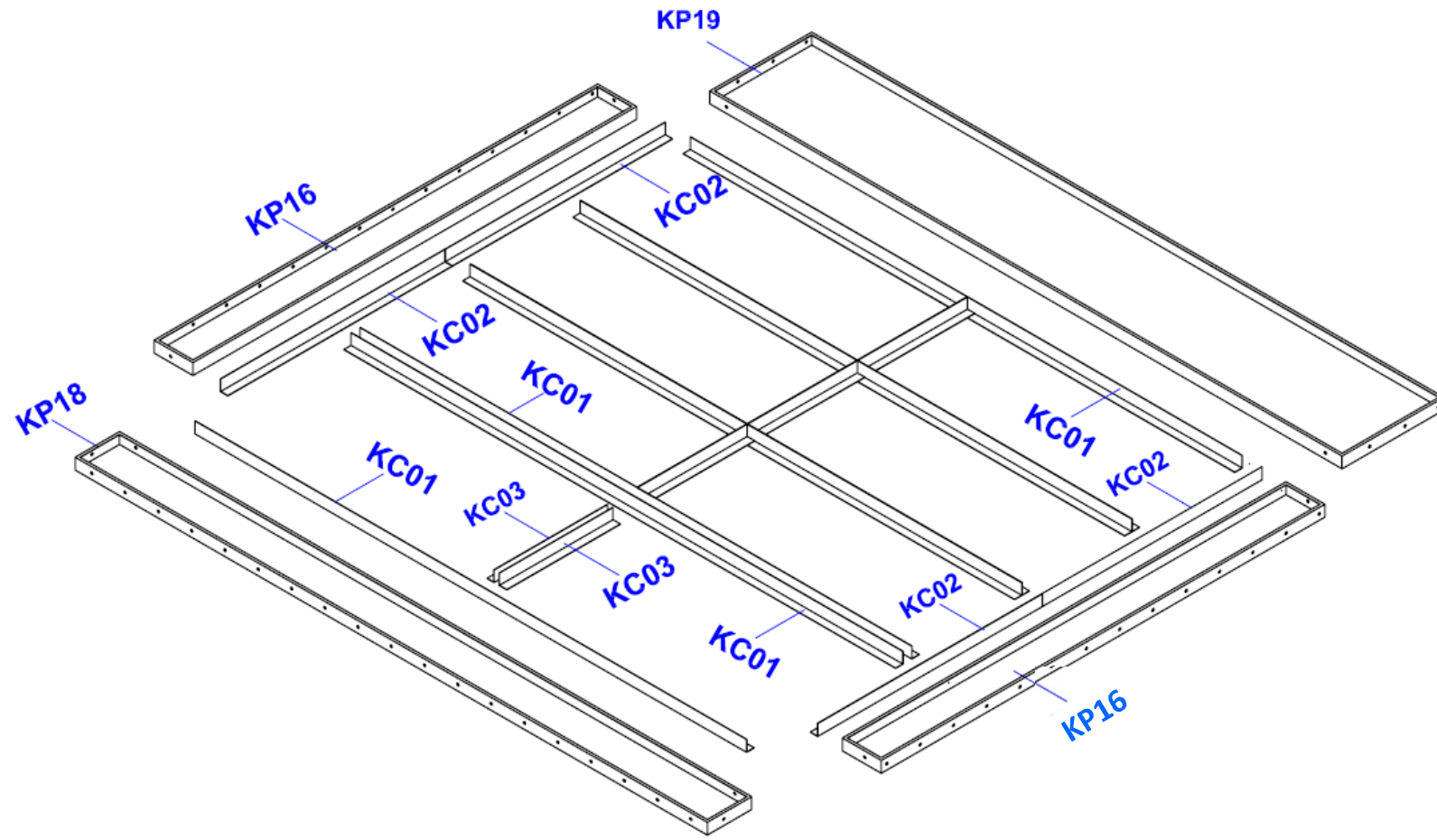
(PSB-SEMIDD26B-AK) EXHAUST CHAMBER ASSEMBLY DETAILS



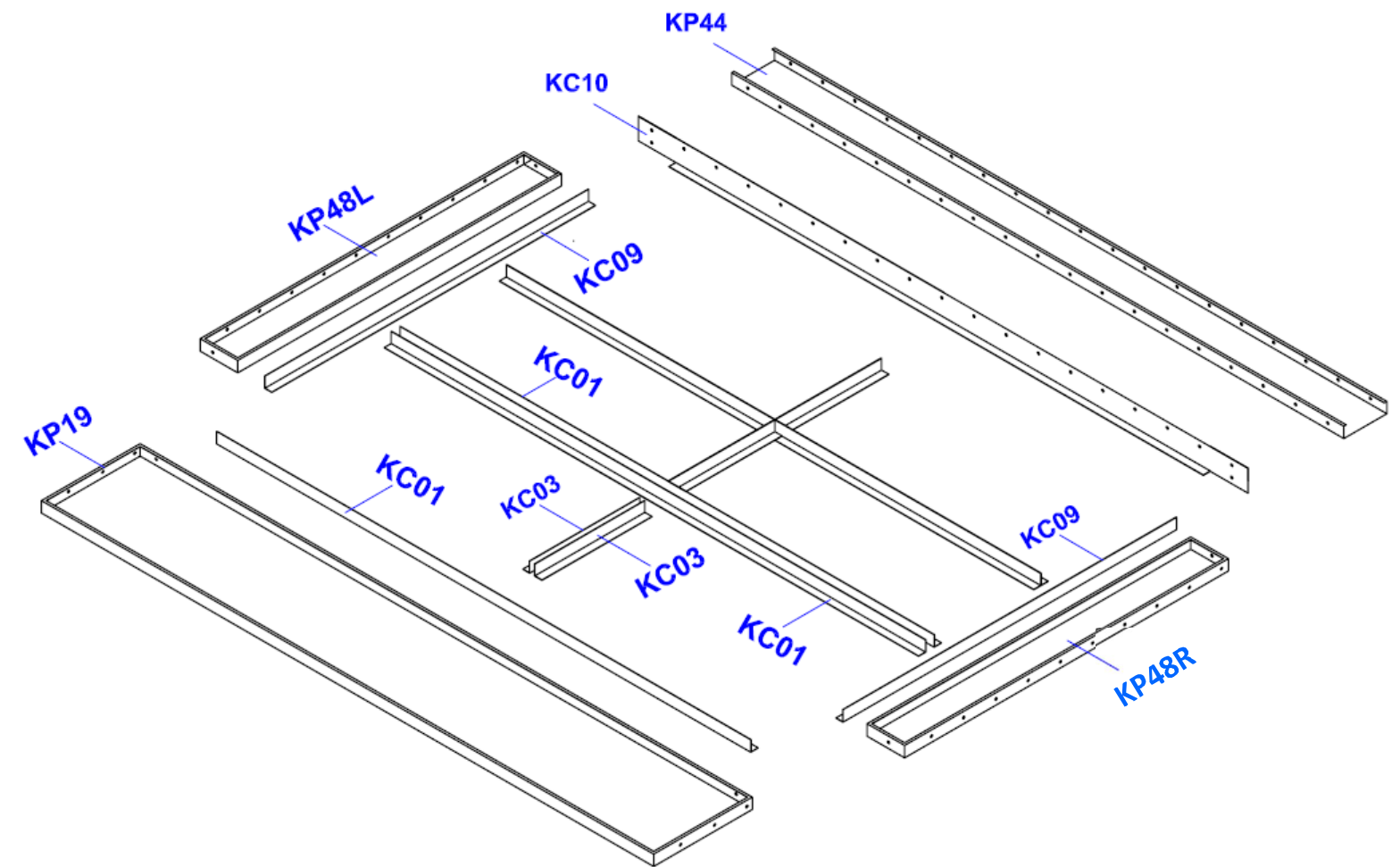
(PSB-SEMIDD26B-AK) T-BAR ASSEMBLY DETAILS



(PSB-SEMIDD26B-AK) INTAKE FILTER GRIDS

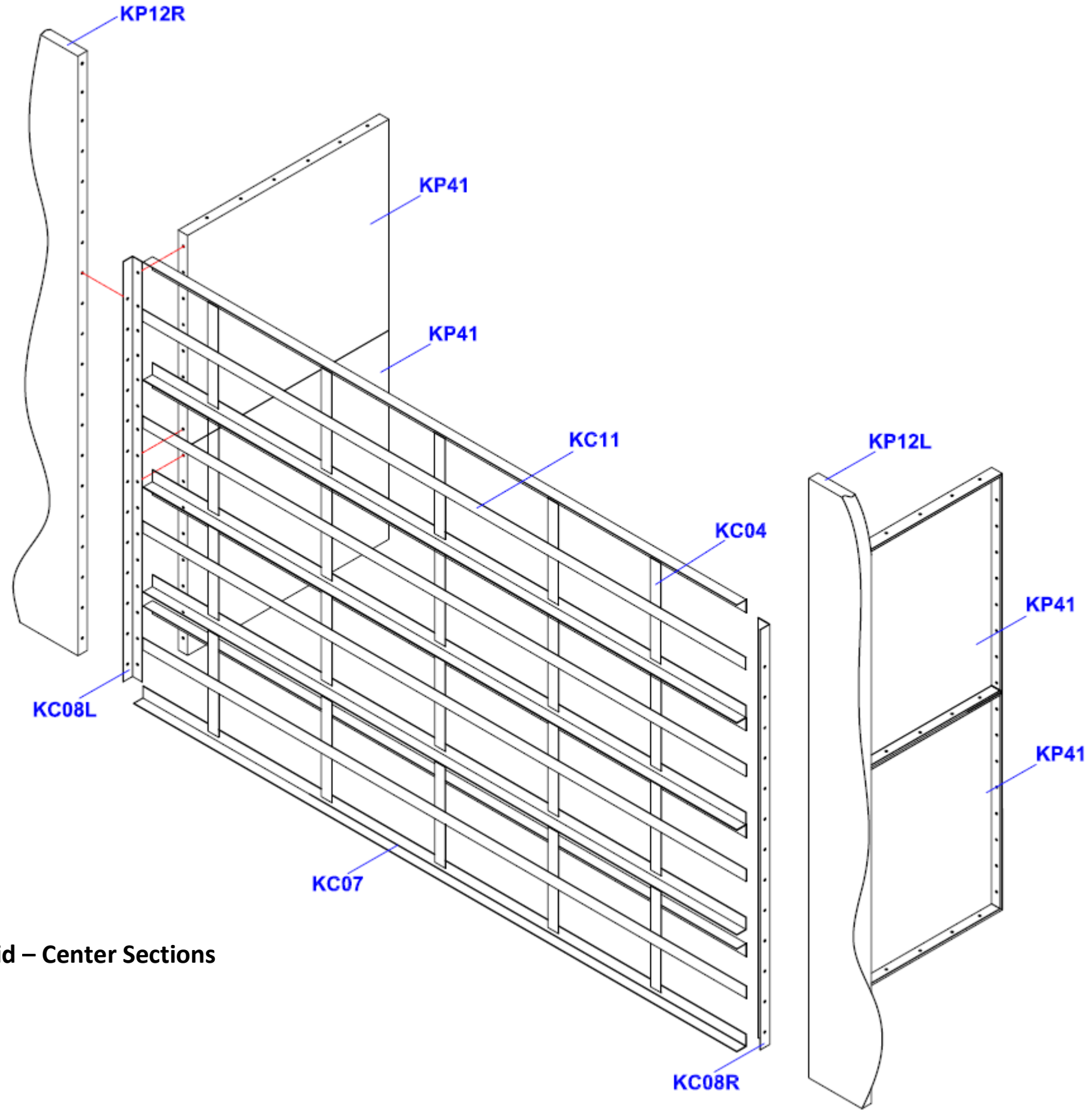


Front - Intake Filter Grid Section



Center - Intake Filter Grid Section

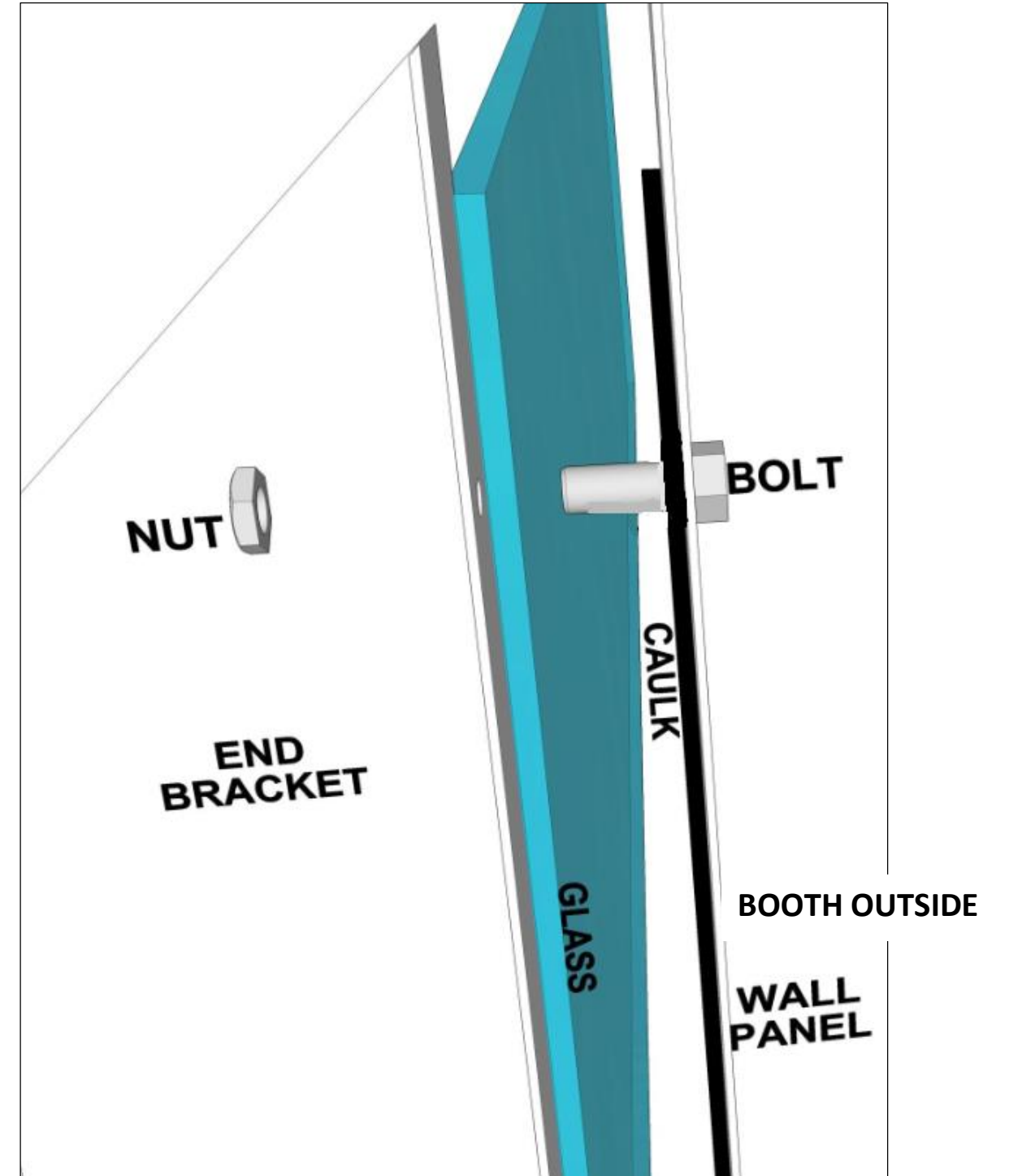
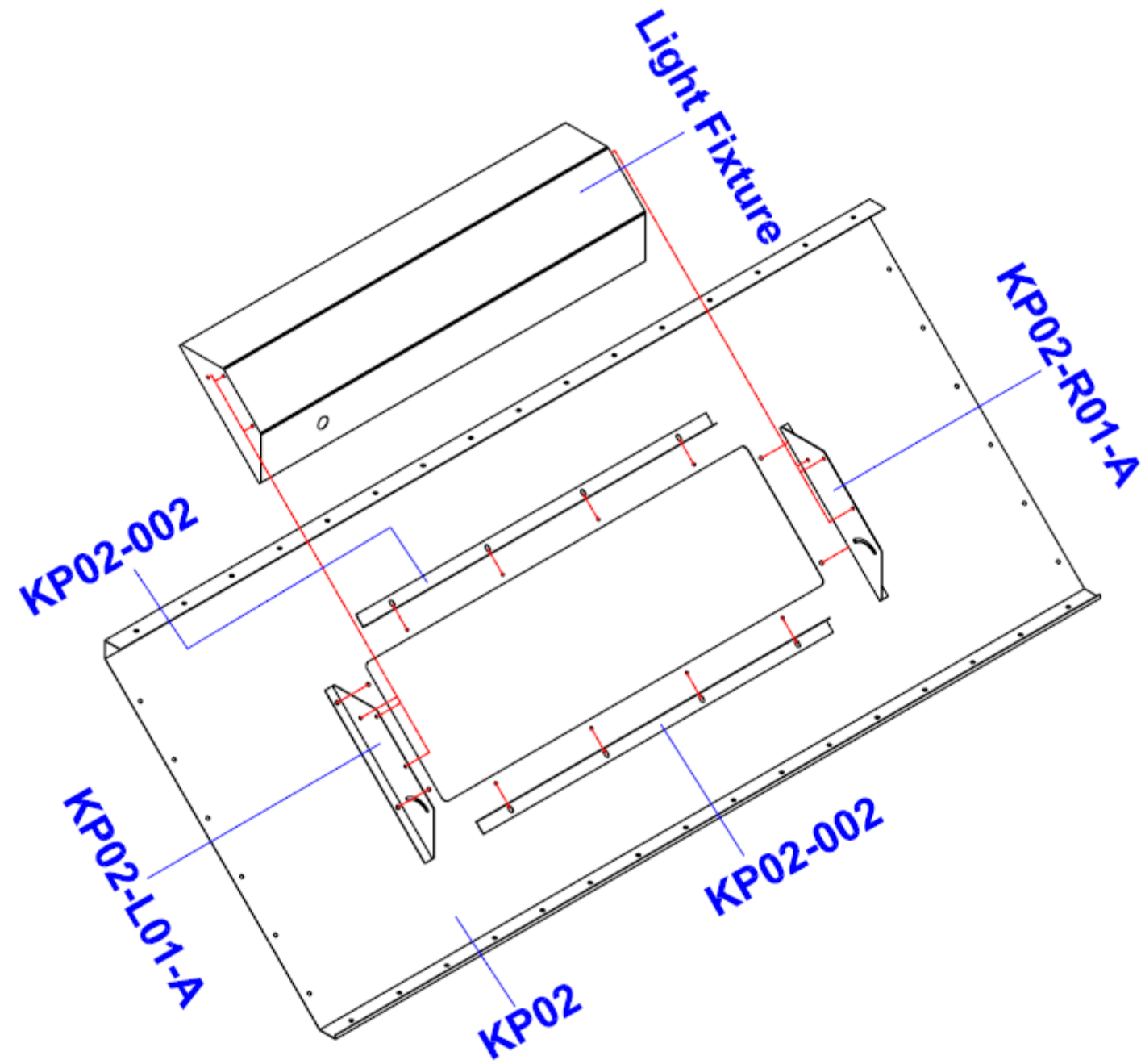
(PSB-SEMIDD26B-AK) EXHAUST FILTER GRID



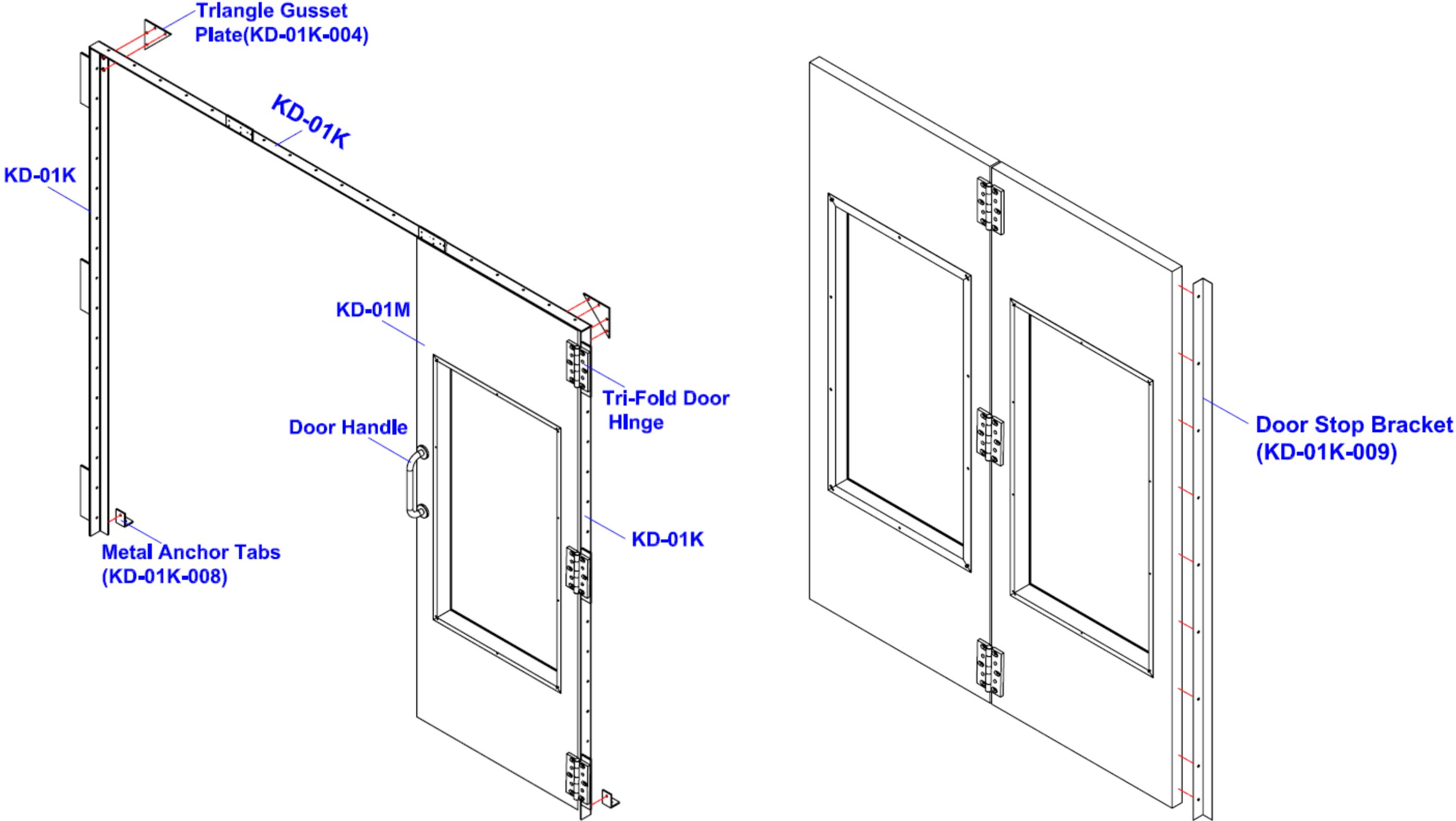
Large Exhaust Filter Grid – Center Sections



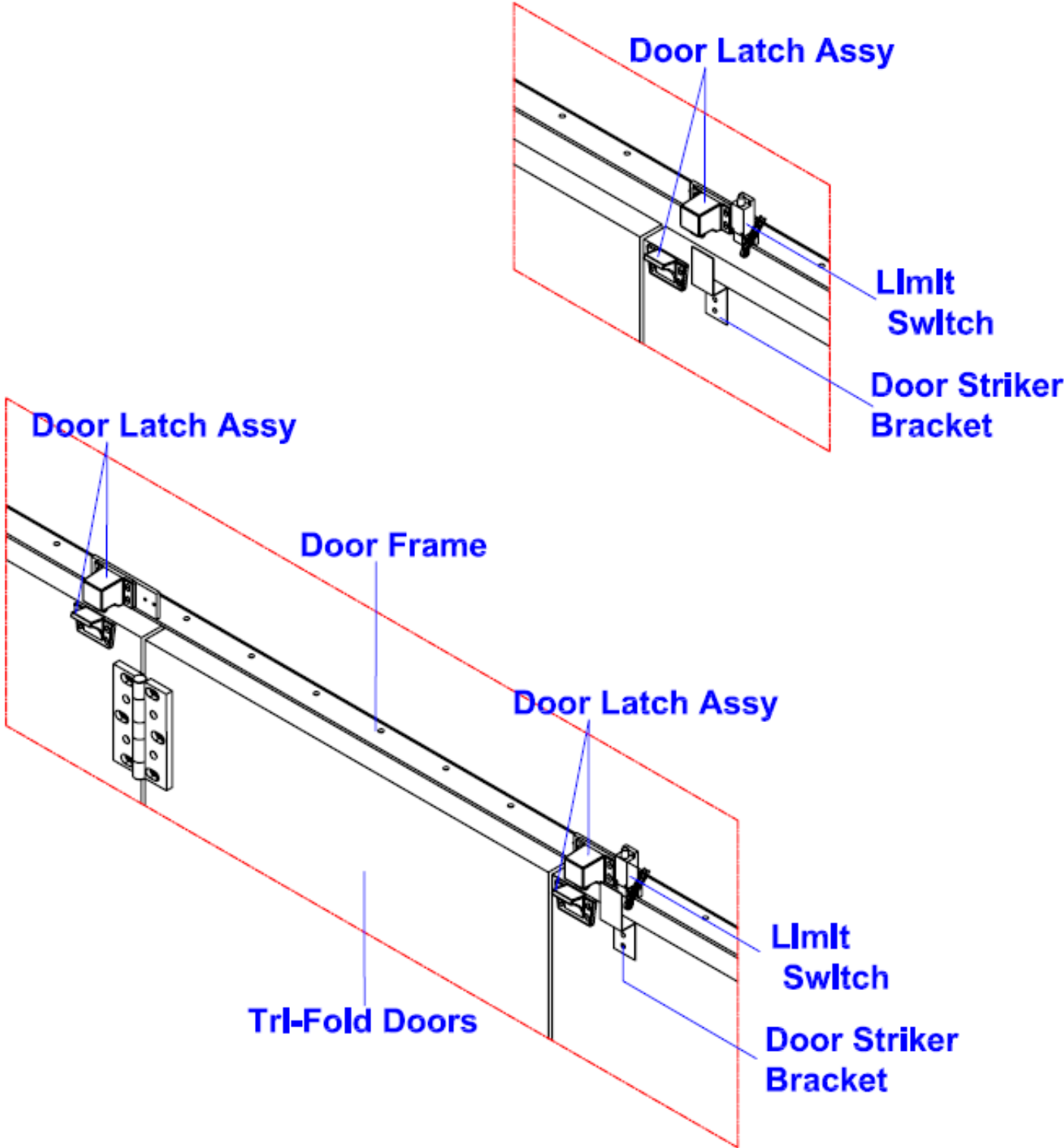
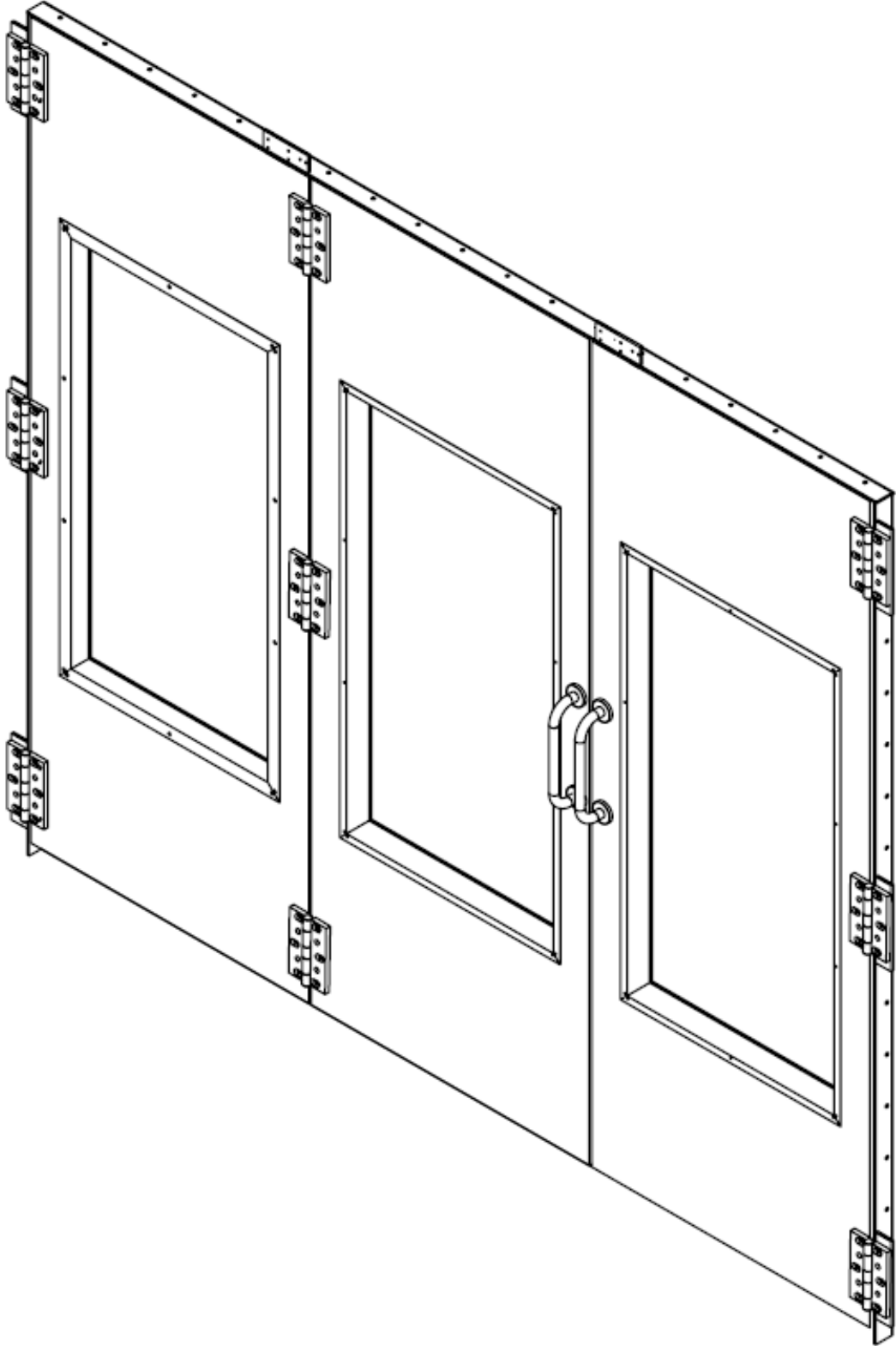
(PSB-SEMIDD26B-AK) STANDARD LIGHT FIXTURE ASSEMBLY



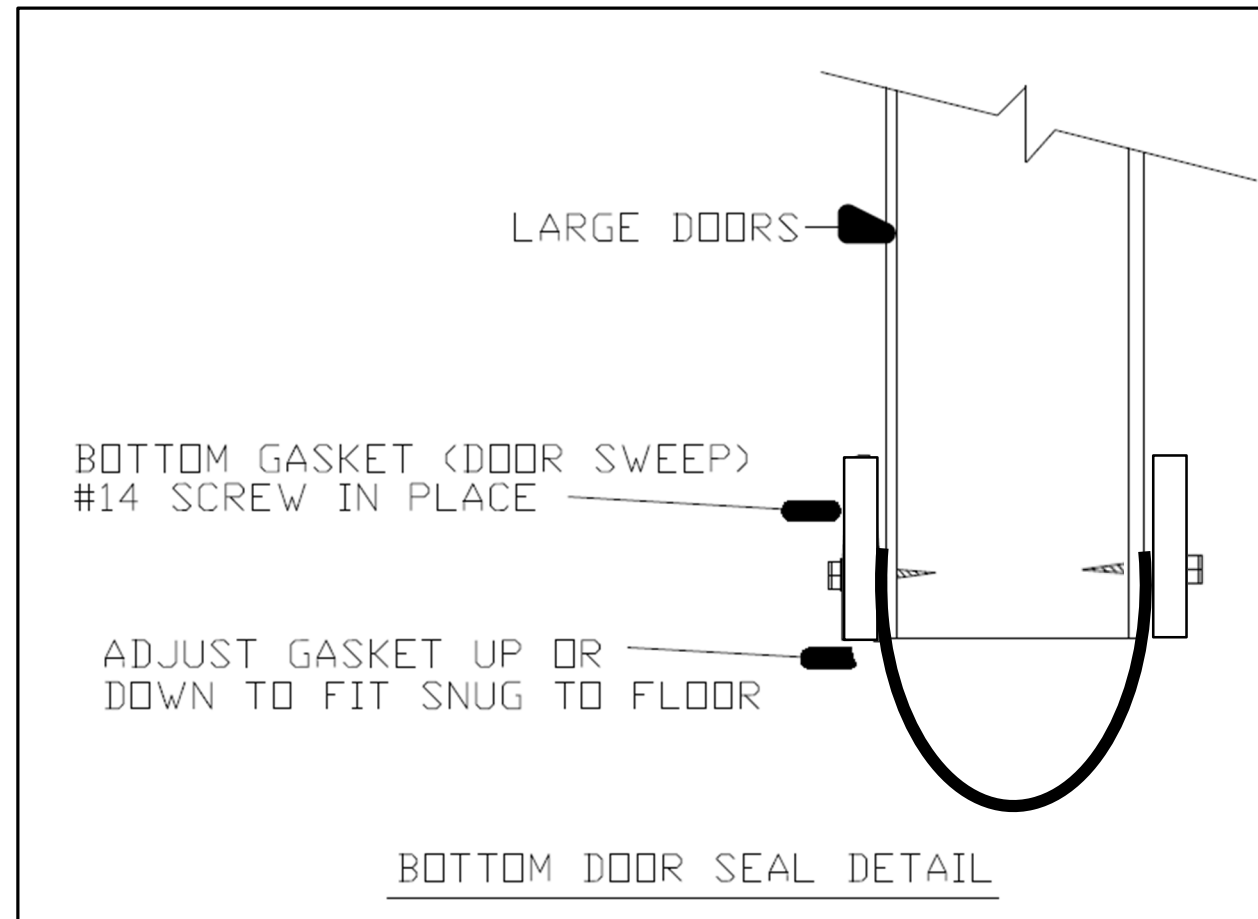
(PSB-SEMIDD26B-AK) TRIFOLD PRODUCT DOOR ASSEMBLY (A)



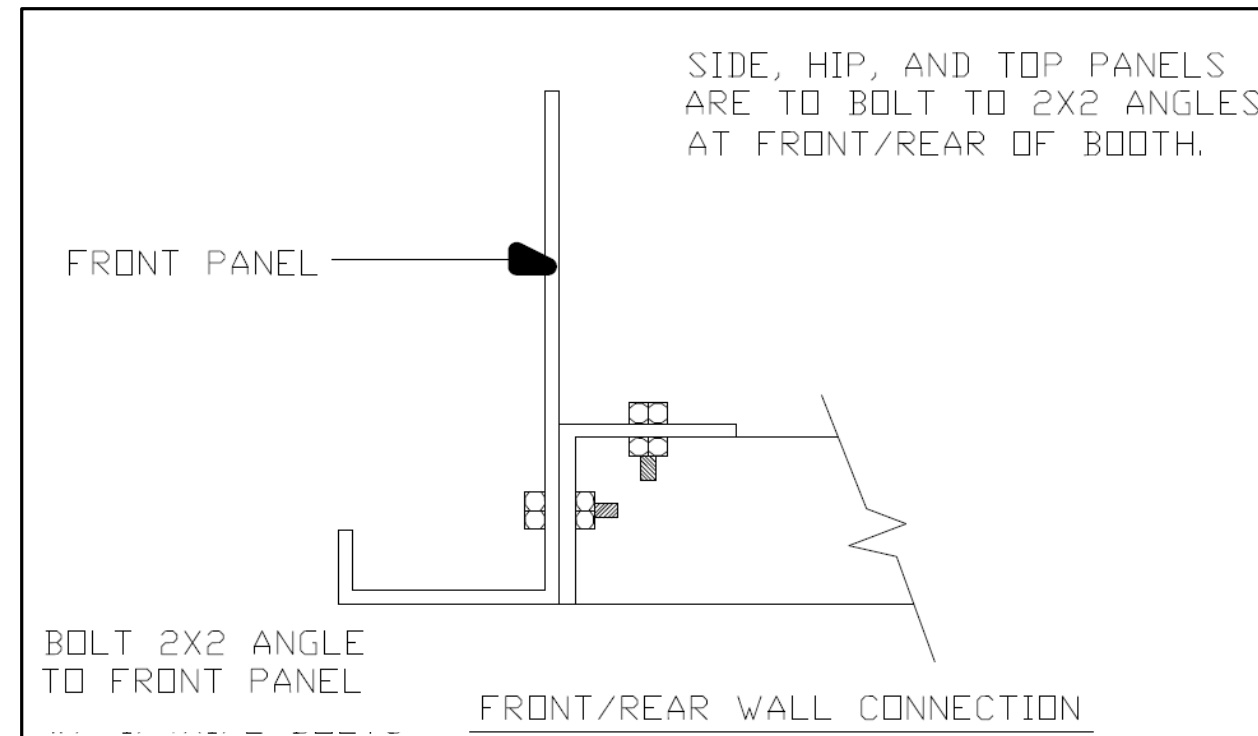
(PSB-SEMIDD26B-AK) – TRIFOLD PRODUCT DOOR ASSEMBLY (B)



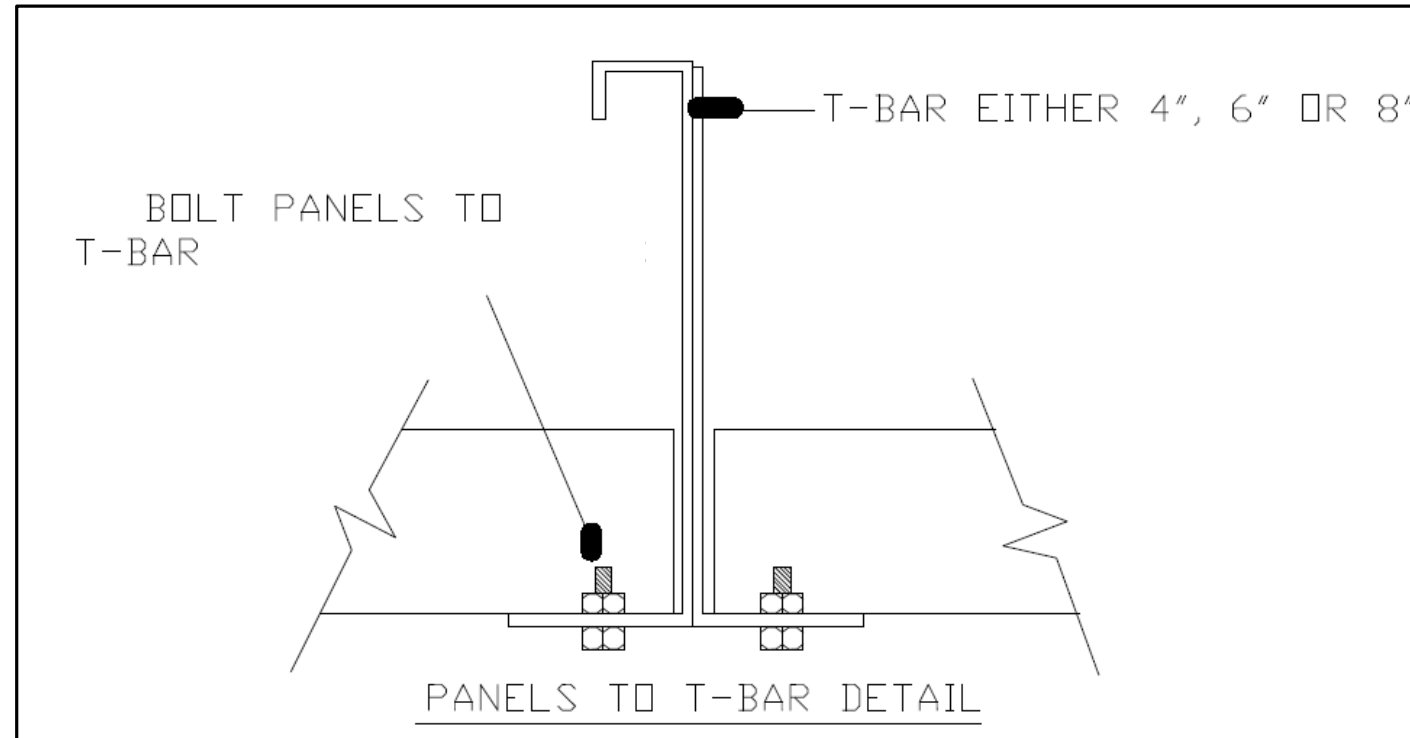
**(PSB-SEMIDD26B-AK) DOOR SWEEP DETAIL**



**(PSB-SEMIDD26B-AK) FRONT/REAR WALL DETAIL**



**(PSB-SEMIDD26ASY-AK) PANELS TO T-BAR DETAIL**



**(PSB-SEMIDD26ASY-AK) FILTER CELLS TO ROOF PANEL DETAIL**

